



# 2024

## ROTARY COMPRESSOR PRODUCT CATALOG

沈阳中航机电三洋制冷设备有限公司  
AVIC ELECTROMECHANICAL (SHENYANG) SANYO REFRIGERATION EQUIPMENT CO.,LTD.

Add: 6-1, No.6 Road, No.4 Street, Shenyang  
Economic & Technological Development  
Tel : +86-18604043105  
Mail: [sunj@avicsanyo.com](mailto:sunj@avicsanyo.com)

# CONTENTS

## 目录

<b>Enterprise Profile</b>	企业简介	<b>01</b>
<b>Model Code Rule</b>	型号命名规则	<b>03</b>
<b>Test Condition</b>	测试工况	<b>03</b>
<b>Air-conditioning Compressor</b>	空调压缩机	<b>04</b>
<b>Heat Pump</b>	热泵	<b>06</b>
<b>Rv Air Conditioning</b>	房车空调压缩机	<b>07</b>
<b>Car Air Conditioning</b>	驻车空调压缩机	<b>08</b>
<b>Refrigeration Compressor</b>	冷冻冷藏压缩机	<b>09</b>
<b>Compressor For Inductrail Refrigeration</b>	工业制冷压缩机	<b>19</b>
<b>Cooperative Partner</b>	合作伙伴	<b>20</b>
<b>Contact Us</b>	联系我们	<b>20</b>



### COMPANY VISION 企业愿景

Let Customers Enjoy Refrigeration Products and Services.

让顾客享受更好的制冷产品和服务

### ENTERPRISE SPIRIT 企业精神

Innovation Surpass Integrity Opening

创新 超越 诚信 开放



## 关于我们 ABOUT US

沈阳中航机电三洋制冷设备有限公司成立于1990年，为中日合资企业。公司始终致力于全封闭式旋转式压缩机设计、生产、销售工作，是全球全封闭旋转式压缩机的重要制造商之一，拥有以直流变频和环保冷媒为代表的最好的节能环保产品，公司注册资本15998万美金，产能1200万台。

2014年，公司在以全封闭式旋转压缩机产业之核心基础上，向制冷装置发展，目标到2025年发展成为压缩机等核心器件和制冷装置并举的制造商和服务商。

2015年，公司开始以中国制造2025为目标的数字化工厂建设的践行工作，目前拥有核心高端产品生产线，覆盖压缩机和电机等核心器件、商用食品制冷装置、工业制冷设备等系列产品生产。

2016年，公司在日本成立以技术研究为核心的全资子公司——中航机电三洋日本研发中心（株），夯实以建设技术发展型企业的基础。

公司秉承创新、超越、诚信、开放的企业精神，以让客户享受更好的制冷产品和服务为愿景，将以技术和团队为支撑的品牌力作为企业的核心能力，致力于节能与环保，推动制冷行业技术升级和产业升级，聚焦制冷行业中高端细分市场，提供超过客户期望的压缩机核心器件和制冷装备等产品和解决方案，持续为客户创造价值。

AVIC Electromechanical(Shenyang) Sanyo Refrigeration Equipment Co.Ltd(Abbr.AVIC EM SANYO),found in 1990 is a Sino-Japanese joint venture.AVIC EM SANYO is a world class manufacturer focusing on design,production and sales of hermetic rotary compressors,possesses products such as DC inverter compressors and environment-protcting refrigerant products.The company's registered capital is 15998 million dollars,wih annual production capacity of 12 million units.

Till 2014,the company has gradually developep from single rotary compressor to multiple refrigeration equipment industry.The future plan is to become the mannufacturer and service provider of both compressors and refrigeration equipment during the period of China's 13th five-year national developemnt plan.

Since 2015,AVIC EM SANYO has been developing digitalized factory with the targe of"Made in China 2025".Now the company possesses high-end production lines,which enable production of core units of compressors and motors,as well as production of commercial food refrigeration equipment and industrial refrigeration equipment.

In 2016,another subsidiary,AVIC EM SANYO R&D CENTRE(JP),was established in Japan to solidify a development foundation of technology oriented company.

The company adheres to the spirit of "Innovation,Surpass,Integrity,Opening",the vision of"Let Customers Enjoy Better Refrigeration Products And Services",and makes it core competitiveness of "Technology and Team".In AVIC SANYO,We focus on energy-saving and environmental protection,and we endeavor to upgrade the technology level or refrigeration industry.We will keep our eyes on the middle and high-end market of refrigeration industry, provide products and solutions of compressors and refrigeration equipment that exceed the customers'sxceptions,and continually create maximum value for the customers.

## 产品特点 PRODUCT FEATURES

### 独特的超精密加工

最适合的基本Dimension设计&对用途的最适合容积比设定，确保产品性能更高、更耐用。

### 低振动、低噪音

压缩机内泵体独特的整流消音技术和整机振动脉动削减技术，确保压缩机传出振动和噪音在感官上的舒适化。

### 气体喷射技术

使蒸发温度运转范围更广，在-40℃--+10℃不会有吐出温度过高，润滑油劣化的现象，确保压缩机运转的高可靠性。

### 可靠的回油结构

冷冻机油利用[高低压差]方式，经上油管吸入输送至各运动机构进行润滑，润滑后贮积于底部原贮积油处，因此油面稳定、吐油量少，冷媒管路系统中的油量极少。

### Unique ultra-precision machining

The most suitable basic Dimension design & the most suitable volume ratio setting for the application, ensure higher performance and more durable compressor.

### Low vibration, low noise

The unique sound reduction technology of the pump in the compressor and the vibration pulsation reduction technology of the whole body, ensure that the vibration and noise from the compressor are comfortable to the senses.

### Gas injection technology

Allow the evaporation temperature operating wider range, especially at -40℃ - +10℃ there will be no too high discharge temperature and no phenomenon of wheel oil deterioration, ensure the high reliability of compressor operation.

### Reliable oil return structure

The refrigeration oil is pumped through the upper oil pipe to lubricate the moving mechanism by means of [high and low pressure difference],then lubricated and stored at the bottom of the original storage oil.Therefore, the compressor has stable oil level and few discharge oil volume, the amount of oil in the refrigerant pipeline system is also very small.

空调压缩机 Air-Conditioning Compressor

NOMENCLATURE 1 命名方式 1

**C-3R V 486 H 2 \*\* L**

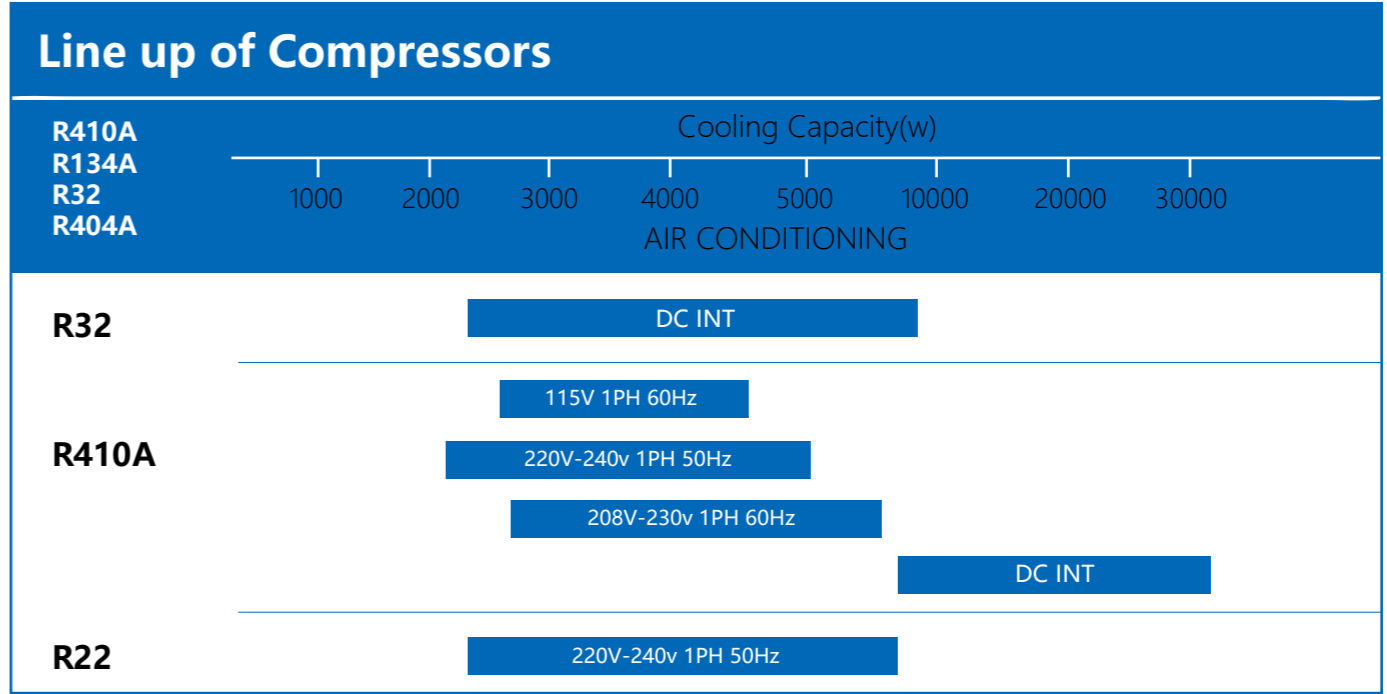
- Cooling Method 冷却方式**  
F-Natural Air Cooling F-自然冷却  
L-Liquid Injection Cooling L-喷液冷却
- Design Sequence 设计序号**
- Refrigerant Type 制冷剂类型**  
1-R410A, 2-R22, 7-R407C, 4-R404A, 3-R32
- Use 用途**  
H:HBP M:MBP L:LBP E:Extremely Hypothermy
- Displacement 排气量: 48.6cm<sup>3</sup>**
- Power Form 电源形式**  
220V/50Hz/1PH或200-220V/50Hz/1PH  
V-220-240V/50Hz/1PH  
P-380V-415V/50Hz/3PH  
T-208V-230V/60Hz/1PH  
B-AC变频 B-AC Inverter  
Z-DC变频 Z-DC Inverter  
A-24V/48V/60V/72V DC
- Compressor Series 压缩机系列**

NOMENCLATURE 2 命名方式 2

**C-3R H V N 112 H 4 J**

- Development Sequence 开发序号**
- Voltage Disinction 电压区分**
- Use 用途**  
H:HBP M:MBP L:LBP E:Extremely Hypothermy
- Motor Output Power 电机输出功率: 1000W**
- N: New Refrigerant 新冷媒 No无: R22**
- V: Frequency Conversion 变频 No无: Fixed Speed 定速**
- H: Horizontal Type 卧式 No无: Vertical Type 立式**
- Compressor Series 压缩机系列**

测试工况 Test condition	TEST 1	TEST2	TEST 3	TEST 4
冷凝温度 Condensing temp	43.0℃	54.4℃	54.4℃	54.4℃
蒸发温度 Evaporating temp	4.4℃	7.2℃	-6.7℃	-23.3℃
阀前温度 Liquid temp. entering entering expansion valve	46.1℃	46.1℃	46.1℃	32.2℃
吸气温度 Ambient temp	35.0℃	35.0℃	35.0℃	18.3℃
环境温度 Ambient temp	35.0℃	35.0℃	35.0℃	32.2℃



系列 Series	型号 Model	排量 Displacement (cc/rev)	制冷能力 Cooling Capacity (W)	制冷能力 Cooling Capacity (BTU)	功率 Power (W)	COP (W/W)	测试工况 Test Mode	测试频率 Height (HZ)
-----------	----------	--------------------------	---------------------------	-----------------------------	--------------	-----------	----------------	------------------

DC R32(R410A/R454B)

12F	C-4RZ077H3*	7.7	2520	8598	570	4.42	TEST 1	60Hz
	C-4RZ089H3*	8.9	3010	10270	675	4.46	TEST 1	60Hz
	C-4RZ100H3*	10.0	3385	11550	775	4.37	TEST 1	60Hz
	C-4RZ107H3A	10.7	3600	12283	810	4.44	TEST 1	60Hz
	C-4RZ120H3A	12.0	4030	13750	925	4.36	TEST 1	60Hz
	C-4RZ140H3A	14.0	4705	16053	1070	4.40	TEST 1	60Hz
	C-5RZ132H3*	13.2	4380	14945	1005	4.36	TEST 1	60Hz
15F	C-5RZ146H3*	14.6	4815	16429	1130	4.26	TEST 1	60Hz
	C-5RZ158H3*	15.8	5250	17913	1235	4.25	TEST 1	60Hz
	C-5RZ180H3*	18.0	5900	20131	1395	4.23	TEST 1	60Hz
20F	C-5RZ210H3*	21.0	6920	23611	1625	4.26	TEST 1	60Hz
	C-7RZ233H3*	23.3	7530	25692	1880	4.00	TEST 1	60Hz

R410A 220-240V 1PH 50Hz

15F	C-1RV083H*	8.3	2000	6824	690	2.90	TEST 2	30/370
	C-1RV089H*	8.9	2145	7319	740	2.90	TEST 2	30/370
	C-1RV107H*	10.7	2560	8735	880	2.90	TEST 2	30/370
20F	C-RV125H*	12.5	3020	10304	1025	2.95	TEST 2	35/400
	C-RV133H*	13.3	3230	11021	1075	3.00	TEST 2	35/400
	C-RV146H*	14.6	3540	12078	1180	3.00	TEST 2	35/400
	C-RV168H*	16.8	3950	13477	1340	2.95	TEST 2	35/400
	C-RV190H*	19.0	4490	15320	1545	2.90	TEST 2	40/400
	C-RV210H*	21.0	4990	17026	1720	2.90	TEST 2	55/400

H:Horizental Type 卧式 V:Vertical Type 立式



系列 Series	型号 Model	排量 Displacement (cc/rev)	制冷能力 Cooling Capacity (W)	制冷能力 Cooling Capacity (BTU)	功率 Power (W)	COP (W/W)	测试工况 Test Mode	电容 Capacity (uFINAG)
--------------	-------------	--------------------------------	------------------------------------	--------------------------------------	--------------------	--------------	-------------------	----------------------------

**R410A 208V-230V 1PH 60Hz**

15F	C-1RT080H*	8.3	2440	8325	840	2.90	TEST 2	35/400
	C-1RT107H*	10.7	3100	10577	1070	2.90	TEST 2	40/400
20F	C-RT168H*	16.8	4790	16343	1625	2.95	TEST 2	50/400
	C-RT175H*	17.5	5065	17282	1715	2.95	TEST 2	50/400
	C-RT210H*	21.0	6100	20813	2105	2.90	TEST 2	50/400

**R22 220-240V 1PH 50Hz**

15F	C-1RV132H*	13.3	2280	7779	720	3.17	TEST 2	30/370
	C-1RV142H*	14.5	2480	8462	788	3.15	TEST 2	30/370
	C-1RV142H*	14.9	2570	8769	830	3.10	TEST 2	30/370
	C-1RV152H*	15.5	2635	8991	850	3.10	TEST 2	35/370
	C-1RV162H*	16.2	2790	9519	900	3.10	TEST 2	30/370
	C-1RV167H*	16.7	2910	9929	895	3.25	TEST 2	30/370
20F	C-RV190H*	19.0	3235	11038	1010	3.20	TEST 2	30/400
	C-RV198H*	19.8	3360	11464	1050	3.30	TEST 2	35/400
	C-RV200H	20.0	3500	11942	1045	3.35	TEST 2	35/400
	C-RV205H*	20.5	3580	12215	1070	3.35	TEST 2	35/400
	C-RV210H*	21.0	3700	12624	1105	3.35	TEST 2	35/400
	C-RV214H*	21.4	3735	12744	1115	3.35	TEST 2	35/400
	C-RV216H*	21.6	3780	12897	1130	3.35	TEST 2	35/400
	C-RV219H*	21.9	3820	13034	1140	3.35	TEST 2	35/400
25F	C-8R420H*	42.0	7450	25419	2260	3.30	TEST 2	70/370
	C-8R423H*	42.3	7360	25112	2300	3.20	TEST 2	70/370

**R410A 115V 1PH 60Hz**

15F	C-1RE080H*	8.3	2440	8325	828	2.95	TEST 2	35/400
	C-1RE096H*	9.6	2720	9281	940	2.90	TEST 2	40/400
	C-1RE107H*	10.7	3100	10577	1050	2.95	TEST 2	40/400
	C-1RE113H*	11.3	3325	11345	1148	2.90	TEST 2	40/400

**DC R410A (R32)**

系列 Series	型号 Model	排量 Displacement (cc/rev)	制冷能力 Cooling Capacity (W)	制冷能力 Cooling Capacity (BTU)	功率 Power (W)	COP (W/W)	测试工况 Test Mode	测试频率 Height (HZ)
20F	C-7RZ280H*	28.0	8660	29548	2800	3.09	TEST 2	60Hz
	C-7RZ320H*	32.0	9700	33096	3270	2.97	TEST 2	60Hz
	C-7RZ359H*	35.9	11300	38556	3560	3.17	TEST 2	60Hz
	C-7RZ420H*	42.0	13420	45789	4320	3.11	TEST 2	60Hz
25F	C-8RZ580H*	58.0	18800	64146	5800	3.24	TEST 2	60Hz
	C-8RZ700H*	70.0	22800	77794	7260	3.14	TEST 2	60Hz
33F	C-9RZ580H*	58.0	18770	64043	5790	3.24	TEST 2	60Hz
	C-9RZ700H*	70.0	22260	75951	7000	3.18	TEST 2	60Hz
	C-9RZ850H1	85.0	27450	93659	8500	3.23	TEST 2	60Hz

**DC R410A 热泵 补气增焓 (Heat Pump-Enhanced vapor injection)**

系列 Series	型号 Model	排量 Displacement (cc/rev)	制冷能力 Cooling Capacity (W)	制冷能力 Cooling Capacity (BTU)	功率 Power (W)	COP (W/W)	测试工况 Test Mode	压缩机高度 Height (mm)
15F	C-1RZ110H1*	11.0	3580	12215	820	4.37	TEST 1	264.1
	C-6RZ146H1*	14.6	4590	15661	1090	4.21	TEST 1	298.2
20F	C-7RZ320H*	32.0	10450	35655	3350	3.12	TEST 2	376.6
	C-7RZ359H*	35.9	11720	39989	3765	3.11	TEST 2	421.5
	C-7RZ420H*	42.0	13700	46744	4400	3.11	TEST 2	421.5
25F	C-8RZ580H*	58.0	18920	64555	6080	3.11	TEST 2	455.7
	C-8RZ700H*	70.0	22840	77930	7330	3.12	TEST 2	465.7

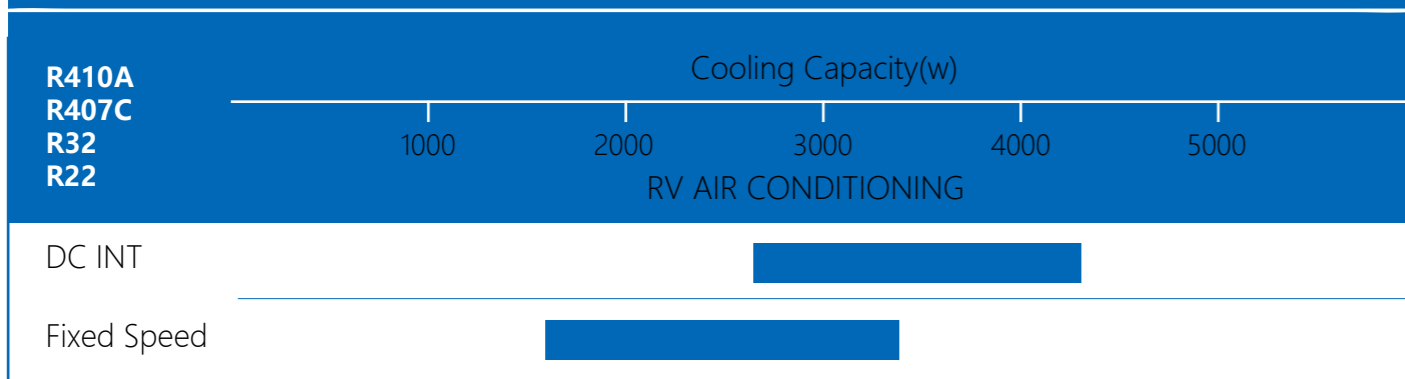
**DC R290 热泵 Heat Pump**

系列 Series	型号 Model	排量 Displacement (cc/rev)	制冷能力 Cooling Capacity (W)	制冷能力 Cooling Capacity (BTU)	功率 Power (W)	COP (W/W)	测试工况 Test Mode	测试频率 Height (HZ)
12F	C-4RZ089H3*	8.9	1675	5715	465	3.60	TEST 2	245.0
15F	C-1RZ107H*	10.7	1980	6756	535	3.70	TEST 2	257.0
	C-6RZ158H*	15.8	2935	10014	790	3.72	TEST 2	288.0
	C-6RZ180H*	18.0	3345	10014	945	3.54	TEST 2	291.6
	C-6RZ210H*	21.0	3910	13341	1100	3.55	TEST 2	318.0
20F	C-7RZ320H*	32.0	5950	20301	1740	3.42	TEST 2	391.6
	C-7RZ359H*	35.9	6840	23338	2030	3.37	TEST 2	441.5
	C-7RZ420H*	42.0	8370	28558	2320	3.61	TEST 2	421.5
25F	C-8RZ580H*	58.0	10580	36099	3160	3.35	TEST 2	455.7
	C-8RZ700H*	70.0	12850	43844	3875	3.32	TEST 2	465.7
33F	C-9RZ850H1	85.0	16540	56434	4635	3.57	TEST 2	525.2

## 房车空调压缩机 Rv air conditioning

## 驻车空调压缩机 Car air conditioning

### Line up of Compressors



#### DC

系列 Series	形式 Form	型号 Model	应用 Application	制冷剂 Refrigerant	排量 Displacement (cc/rev)	制冷能力 Cooling Capacity (W)	输入功率 Input (W)	COP (W/W)	测试工况 Test Mode
DC	H	C-6RHSV73H0W	HBP	R410A	9.2	2670	875	3.05	TEST 2
		C-6RHZ092H3ACF	HBP	R32/R410A	9.2	2800/2670	920/875	3.04/3.05	TEST 2
		C-6RHZ125H1AAF	HBP	R410A	12.5	3640	1200	3.03	TEST 2
		C-6RHZ125H3ABF	HBP	R32/R410A	12.5	3900/3640	1250/1200	3.12/3.03	TEST 2
		C-6RHSV103H0W	HBP	R410A	14.6	4230	1410	3.00	TEST 2
		C-6RHZ146H3AAF	HBP	R32/R410A	14.6	4480/4230	1470/1410	3.05/3.00	TEST 2
		C-7RHZ233H3AAF	HBP	R32/R410A	23.3	7590/7010	2500/2335	3.04/3.00	TEST 2
		C-7RHZ320H3AAF	HBP	R32/R410A	32.0	10550/9940	3420/3270	3.08/3.04	TEST 2

#### 1PH-220V/230V/240V-50Hz

系列 Series	形式 Form	型号 Model	应用 Application	制冷剂 Refrigerant	排量 Displacement (cc/rev)	制冷能力 Cooling Capacity (W)	输入功率 Input (W)	COP (W/W)	测试工况 Test Mode
1PH-220V/230V/240V-50Hz	H	C-1RHSV065H3AAF	HBP	R32/R410A	6.5	1600/1575	615/585	2.60/2.69	TEST 2
		C-6RHSV077H3ABF	HBP	R32/R410A	7.7	1775/1755	705/680	2.51/2.58	TEST 2
		C-6RHSV092H3ABF	HBP	R32/R410A	8.6	1900/1880	750/725	2.53/2.59	TEST 2
		C-6RHSV092H3AAF	HBP	R32/R410A	9.2	2110/2070	795/770	2.65/2.69	TEST 2
		C-6RHSV110H3AAF	HBP	R32/R410A	11.0	2550/2500	980/920	2.60/2.72	TEST 2
	H	C-RHV146H3NA	HBP	R32/R410A	14.6	3190/3160	1315/1235	2.43/2.56	TEST 2
		C-6RHSV110H7AAF	HBP	R407C	11.0	1850	630	2.94	TEST 2
		C-6RHSV132H7AAF	HBP	R407C	13.2	2220	760	2.92	TEST 2
		C-RHV195H7NA	HBP	R407C	19.5	3170	1130	2.81	TEST 2
		C-RHV210H7NA	HBP	R407C	21.0	3430	1245	2.76	TEST 2
H	C-RHV195H2NA	HBP	R22	19.5	3140	1120	2.80	TEST 2	
	C-RHV210H2NA	HBP	R22	21.0	3350	1150	2.91	TEST 2	

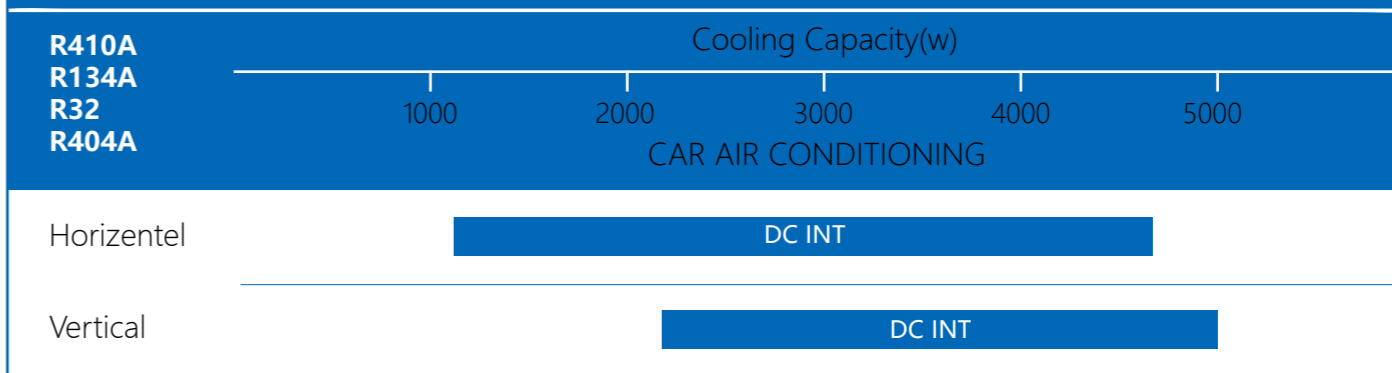
#### 1PH-115V-60Hz

系列 Series	形式 Form	型号 Model	应用 Application	制冷剂 Refrigerant	排量 Displacement (cc/rev)	制冷能力 Cooling Capacity (W)	输入功率 Input (W)	COP (W/W)	测试工况 Test Mode
1PH-115V-60Hz	H	C-6RHE092H3AAF	HBP	R32/R410A	9.2	2670/2560	1020/960	2.62/2.68	TEST 2
		C-6RHE110H3AAF	HBP	R32/R410A	11.0	3270/3130	1195/1125	2.74/2.78	TEST 2
	H	C-RHE146H3NA	HBP	R32/R410A	14.6	3820/3700	1580/1500	2.42/2.47	TEST 2

#### 1PH-220V-60Hz

系列 Series	形式 Form	型号 Model	应用 Application	制冷剂 Refrigerant	排量 Displacement (cc/rev)	制冷能力 Cooling Capacity (W)	输入功率 Input (W)	COP (W/W)	测试工况 Test Mode
1PH-220V-60Hz	H	C-6RHC110H7AAF	HBP	R407C	11.0	2230	755	2.95	TEST 2

### Line up of Compressors



#### DC 24V

系列 Series	形式 Form	型号 Model	应用 Application	制冷剂 Refrigerant	排量 Displacement (cc/rev)	制冷能力 Cooling Capacity (W)	输入功率 Input (W)	COP (W/W)	频率 (Hz) Rated Frequency	测试工况 Test Mode
DC 24V	H	C-5RHA072H1A**	HBP	R410A	7.2	2100	665	3.16	60	TEST 1
		C-5RHA092H1A**	HBP	R410A	9.2	2230	700	3.19	50	TEST 1
	V	C-6RHA092H1A**	HBP	R410A	9.2	2220	705	3.15	50	TEST 1
		C-5RA146H9A**	HBP	R134A	14.6	2420	672	3.60	65	TEST 1
	V	C-6RA146H9A**	HBP	R134A	14.6	2410	670	3.60	65	TEST 1
		C-6RA158H9A**	HBP	R134A	15.8	2325	645	3.60	60	TEST 1
		C-6RA180H9A**	HBP	R134A	18.0	2220	590	3.76	50	TEST 1
		C-6RHA146H9A**	HBP	R134A	14.6	2260	660	3.42	65	TEST 1
	H	C-6RHA158H9A**	HBP	R134A	15.8	2260	635	3.56	60	TEST 1
		C-6RHA180H9A**	HBP	R134A	18.0	2150	610	3.52	50	TEST 1

#### DC 48V

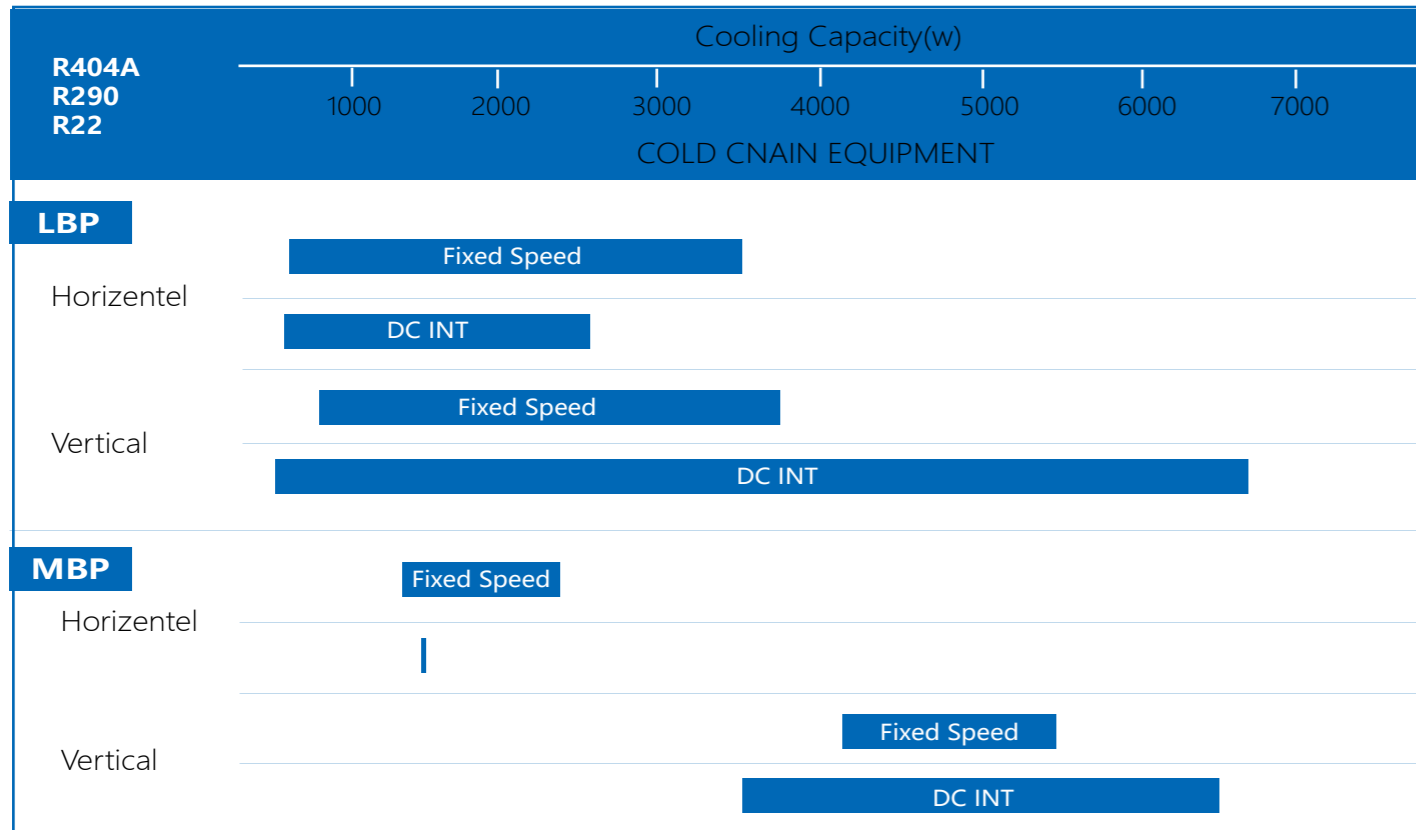
系列 Series	形式 Form	型号 Model	应用 Application	制冷剂 Refrigerant	排量 Displacement (cc/rev)	制冷能力 Cooling Capacity (W)	输入功率 Input (W)	COP (W/W)	频率 (Hz) Rated Frequency	测试工况 Test Mode
DC 48V	H	C-6RHA125H1A**	HBP	R410A/R32	12.5	3730	1160	3.22	60	TEST 1
		C-6RHA146H1A**	HBP	R410A/R32	14.6	4340	1360	3.19	60	TEST 1
		C-6RHA158H1A**	HBP	R410A/R32	15.8	4700	1470	3.20	60	TEST 1
	V	C-6RA125H1A**	HBP	R410A/R32	12.5	3950	1235	3.20	60	TEST 1
		C-6RA146H1A**	HBP	R410A/R32	15.8	5000	1560	3.21	60	TEST 1
		C-6RHA210H9A**	HBP	R134A	21.0	3100	860	3.60	60	TEST 1

#### DC 60V

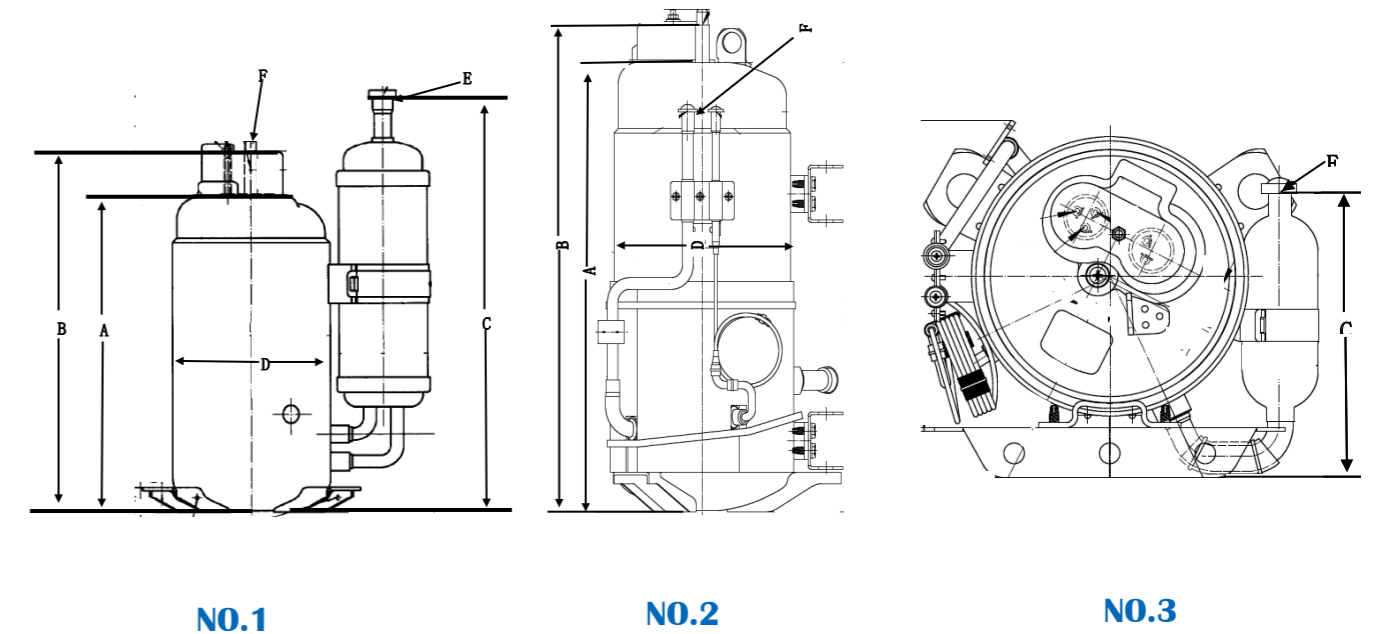
系列 Series	形式 Form	型号 Model	应用 Application	制冷剂 Refrigerant	排量 Displacement (cc/rev)	制冷能力 Cooling Capacity (W)	输入功率 Input (W)	COP (W/W)	频率 (Hz) Rated Frequency	测试工况 Test Mode
DC 60V	H	C-6RHA146H9A**	HBP	R134A	14.6	2150	600	3.58	60	TEST 1



冷冻冷藏 Fixed speed LBP and MBP



外形图 OUTSIDE VIEW



型号 Model	形式 Form	应用 Application	马力 HP	制冷量 Cooling Capacity (W)										耗电量 (W)		排量 Displacement (cc/rev) cm <sup>3</sup>	COP (W/W)	外观尺寸 Dimentions (mm)					
				蒸发温度 Evaporating Temp (°C)										蒸发温度 (°C)				Height 高度			壳体直径	Connecon Tube 配管	
				-40	-35	-30	-25	-23.3	-20	-15	-10	-6.7	0	7.2	-23.3			-6.7	A	B	C	D	吸气口E

**R290 220V~240V-1PH-50HZ**

C-6RHHV092L9AAL	H	LBP	0.5	131	216	322	397	440	506	614	757	844	1047	1230	380	425	9.2	1.16	252.5	296.6	153.0	116.0	9.6	8.0
C-6RHHV110L9AAL		LBP	0.6	149	246	366	452	500	575	698	860	959	1190	1476	520	581	11.0	0.96	284.5	328.6	153.0	116.0	9.6	8.0
C-6RHHV125L9AAL		LBP	0.7	173	285	424	524	580	667	810	998	1113	1381	1712	596	666	12.5	0.97	284.5	328.6	153.0	116.0	9.6	8.0
C-6RHHV133L9AAL		LBP	0.8	190	314	468	578	640	736	894	1103	1228	1524	1890	607	679	13.3	1.05	284.5	328.6	153.0	116.0	9.6	8.0
C-6RHHV158L9AAL		LBP	1	223	368	548	678	750	862	1047	1292	1439	1785	2215	746	834	15.8	1.01	284.5	328.6	153.0	116.0	9.6	8.0
C-RHHV220L9AAL		LBP	1.25	350	601	860	1092	1176	1359	1643	1987	2257	2800	3563	1005	1078	23.3	1.14	285.3	325.8	158.0	128.0	12.8	8.0
C-7RHHV320L9AAL		LBP	1.75	506	869	1243	1578	1700	1964	2374	2872	3262	4047	5151	1385	1549	32.0	1.23	318.5	362.6	158.0	128.0	12.8	8.0

**R404a 220V-1PH-50HZ(R448A/R449A/R454C/R455A)**

C-RHN75E4A	H	LBP	1	390	526	684	808	895	1050	1410	1710	2000	2412	3200	785	*	13.3	1.14	285.3	246.0	158.0	128.0	12.8	8.0
C-RHN110E4A		LBP	1.5	713	964	1250	1472	1540	1773	2118	2580	2900	3682	4900	1385	*	22.0	1.24	285.3	310.3	158.0	128.0	12.8	8.0
C-3RH322L4AAL		LBP	2	910	1230	1600	1890	2000	2330	2820	3350	3820	5160	6950	1980	*	32.2	1.01	374.3	404.3	178.0	158.0	12.8	9.7
C-3RH463L4AAL		LBP	3	1310	1770	2300	2830	2990	3288	3935	4783	5412	6513	7744	2670	*	46.3	1.12	374.3	404.3	178.0	158.0	12.8	9.7

H:Horizontal Type 卧式 V:Vertical Type 立式

冷冻冷藏 Fixed speed LBP and MBP

型号 Model	形式 Form	应用 Application	马力 HP	制冷量 Cooling Capacity (W)											耗电量 (W)		排量 Displacement (cc/rev) cm <sup>3</sup>	COP (W/W)	外观尺寸 Dimentions (mm)					
				蒸发温度 Evaporating Temp (°C)											蒸发温度 (°C)				Height 高度			壳体直径	Connecion Tube 配管	
				-40	-35	-30	-25	-23.3	-20	-15	-10	-6.7	0	7.2	-23.3	-6.7			A	B	C	D	吸气口E	排气口F

**R404a 220V-1PH-50HZ(R448A/R449A/R454C/R455A)**

C-1R118M4A	V	MBP	0.8	*	*	*	*	*	*	*	1108	1250	1570	1837	*	675	11.8	1.85	240.0	280.6	232.0	115.0	9.6	8.0
C-R133L4AF		MBP	1	*	*	*	*	*	*	*	1321	1490	1872	2190	*	790	13.3	1.89	277.3	302.3	289.6	128.0	12.8	8.0
C-R161M4A		MBP	1.25	*	*	*	*	*	*	*	1609	1815	2280	2668	*	935	16.1	1.94	277.3	302.3	289.6	128.0	12.8	8.0
C-R190M4A		MBP	1.35	*	*	*	*	*	*	*	1933	2180	2739	3205	*	1230	19.0	1.77	277.3	302.3	289.6	128.0	12.8	8.0
C-R220L4AF		MBP	1.5	*	*	*	*	*	*	*	2234	2520	3166	3704	*	1380	22.0	1.83	277.3	302.3	289.6	128.0	12.8	8.0
C-R133L4AL		LBP	1	391	489	618	779	850	972	1196	1451	1713	2056	2406	770	*	13.3	1.10	277.3	302.3	319.1	128.0	12.8	8.0
C-R220L4AL		LBP	1.5	671	840	1062	1339	1460	1669	2054	2492	2942	3532	4133	1320	*	22.0	1.11	277.3	302.3	319.1	128.0	12.8	8.0
C-3R322L4AAL		LBP	2	920	1242	1616	1908	2010	2350	2850	3400	3850	5200	7000	1970	*	32.2	1.02	414.3	444.3	392.8	158.0	16.1	9.7
C-3R463L4AAL		LBP	3	1343	1787	2323	2858	3030	3322	3974	4830	5466	6578	7821	2800	*	46.3	1.08	414.3	444.3	392.8	158.0	16.1	9.7

**R404a 220V/230V-1PH-50HZ 220V-1PH-60HZ(R448A/R449A/R454C/R455A)**

C-1RN40L5C	V	LBP	0.6	285	357	451	568	620	709	872	1058	1249	1500	1755	460	*	7.7	1.35	200.0	224.8	187.0	115.0	9.6	8.0
------------	---	-----	-----	-----	-----	-----	-----	-----	-----	-----	------	------	------	------	-----	---	-----	------	-------	-------	-------	-------	-----	-----

**R404a 380V-3PH-50HZ(R448A/R449A/R454C/R455A)**

C-RHN153L8A	H	LBP	2	891	1203	1564	1846	1920	2230	2760	3330	3710	5086	6920	1800	*	32.2	1.07	364.5	394.5	178.0	157.0	12.8	9.7
C-RHN223L8A		LBP	3	1286	1736	2257	2663	2770	3330	4190	5140	5980	7452	8971	2440	*	46.3	1.14	374.3	404.3	178.0	158.0	12.8	9.7

**R404a 220V-1PH-60HZ(R448A/R449A/R454C/R455A)**

C-1RHN40E6A	H	LBP	0.6	299	374	473	596	650	743	914	1110	1310	1572	1840	610	*	9.1	1.07	266.2	301.2	158.0	115.0	9.6	8.0
C-RHN60E6A		LBP	0.8	449	558	702	880	910	1093	1340	1622	1911	2288	2673	800	*	11.3	1.14	277.3	302.3	158.0	128.0	12.8	8.0
C-RHN75E6A		LBP	0.8	483	604	764	963	1050	1200	1477	1792	2116	2540	2972	915	*	13.3	1.15	285.3	310.3	158.0	128.0	12.8	8.0
C-RHC161L4AAL		LBP	1	584	731	925	1165	1271	1453	1788	2170	2561	3075	3598	1100	*	16.1	1.15	285.3	310.3	158.0	128.0	12.8	8.0
C-RHN110E6A		LBP	1.5	846	1058	1338	1687	1840	2103	2588	3141	3707	4451	5209	1500	*	22.0	1.23	285.3	310.3	158.0	128.0	12.8	8.0
C-3RHC322L4AAL		LBP	2	1173	1467	1855	2338	2550	2915	3587	4353	5138	6169	7219	2550	*	32.2	1.00	364.5	394.5	178.0	157.0	12.8	9.7
C-3RHC359L4AAL		LBP	2.5	1291	1615	2043	2574	2808	3210	3950	4794	5657	6793	7949	2600	*	35.9	1.08	374.3	404.3	178.0	158.0	12.8	9.7
C-3RHC463L4AAL	LBP	3	1650	2063	2610	3289	3588	4102	5047	6125	7336	10157	12229	3204	*	46.3	1.12	374.3	404.3	178.0	158.0	12.8	9.7	



定速冷冻冷藏 Fixed speed LBP and MBP

型号 Model	形式 Form	应用 Application	马力 HP	制冷量 Cooling Capacity (W)											耗电量 (W)		排量 Displacement (cc/rev) cm <sup>3</sup>	COP (W/W)	外观尺寸 Dimintions (mm)					
				蒸发温度 Evaportating Temp (°C)											蒸发温度 (°C)				Height 高度			壳体直径	Conecion Tube 配管	
				-40	-35	-30	-25	-23.3	-20	-15	-10	-6.7	0	7.2	-23.3	-6.7			A	B	C	D	吸气口E	排气口F

**R404a 220V-1PH-60HZ(R448A/R449A/R454C/R455A)**

C-RC113L4AAL	V	LBP	0.8	395	495	626	788	860	983	1210	1468	1733	2081	2435	800	*	11.3	1.10	277.3	302.3	319.1	128.0	12.8	8.0	
C-RC133L4AAL		LBP	1	472	591	747	942	1027	1174	1445	1754	2070	2485	2908	920	*	13.3	1.10	277.3	302.3	319.1	128.0	12.8	8.0	
C-RC161L4AAL		LBP	1.25	574	718	908	1144	1248	1427	1755	2130	2514	3019	3533	1056	*	16.1	1.20	277.3	302.3	319.1	128.0	12.8	8.0	
C-RC220L4AAL		LBP	1.5	828	1035	1309	1650	1800	2058	2532	3073	3627	4355	5095	1400	*	22.0	1.29	277.3	302.3	319.1	128.0	12.8	8.0	
C-3RC322L4AAL		LBP	2	1104	1490	1939	2290	2412	2820	3420	4080	4620	6240	8400	2300	*	32.0	1.05	414.3	444.3	392.8	158.0	16.1	9.7	
C-3RC359L4AAL		LBP	2.5	1291	1615	2043	2574	2808	3210	3950	4794	5544	6793	8916	2600	*	35.9	1.08	374.3	404.3	178.0	158.0	12.8	9.7	
C-3RC463L4AAL		LBP	3	1612	2144	2788	3430	3636	3986	4769	5796	6559	7894	9385	3360	*	46.3	1.08	414.3	444.3	388.8	158.0	16.1	9.7	
C-3RC322M4AAF		MBP	2	*	*	*	*	*	*	*	*	3830	4320	5427	6350	*	2340	32.2	1.85	323.5	353.3	362.0	142.2	16.1	9.7
C-3RC438M4AAF		MBP	3	*	*	*	*	*	*	*	*	5266	5940	7462	8732	*	3180	43.8	1.87	414.3	444.3	392.8	158.0	16.1	9.7

**R22 220V-1PH-50HZ**

C-RH75E4A	H	LBP	1	353	476	619	731	760	862	1031	1253	1418	1707	2030	745	*	14.6	1.02	285.3	310.3	158.0	128.0	12.8	8.0
C-RH110E4A		LBP	1.5	603	814	1059	1250	1300	1474	1764	2144	2426	2920	3472	1210	*	23.3	1.07	285.3	310.3	158.0	128.0	12.8	8.0

**R22 380V-3PH-50HZ**

C-RH173L8A	H	LBP	2.5	836	1128	1466	1731	1800	2068	2512	3041	3480	4226	5024	1700	*	35.9	1.06	364.5	394.5	177.0	157.0	12.8	9.7
------------	---	-----	-----	-----	------	------	------	------	------	------	------	------	------	------	------	---	------	------	-------	-------	-------	-------	------	-----

**R22 380V-3PH-50HZ**

C-R173L8B	V	LBP	2.5	833	1125	1462	1726	1800	2041	2443	2969	3359	4042	4807	1690	*	35.9	1.00	404.5	434.5	392.0	157.0	16.1	9.7
C-R223L8C		LBP	3	1170	1579	2053	2423	2520	2857	3420	4156	4703	5659	6729	2290	*	48.6	1.10	414.3	444.3	402.8	158.0	16.1	9.7

**R404a 220V~240V-1PH-50HZ(R448A/R449A/R454C/R455A)**

C-6RHV092L4AAL	H	LBP	0.7	248	311	393	495	540	617	760	920	1088	1306	1528	536	577	9.2	1.00	269.5	313.6	153.0	116.0	9.6	8.0
C-6RHV110L4AAL		LBP	0.8	294	368	466	587	640	731	900	1092	1289	1548	1812	620	668	11.0	1.03	269.5	313.6	153.0	116.0	9.6	8.0
C-6RHV125L4AAL		LBP	0.9	331	414	524	660	720	823	1013	1230	1450	1741	2038	750	808	12.5	0.96	269.5	313.6	153.0	116.0	9.6	8.0
C-6RHV133L4AAL		LBP	1	381	477	603	791	830	950	1168	1417	1672	2008	2350	790	851	13.3	1.10	269.5	313.6	153.0	116.0	9.6	8.0
C-RHN75E5A		LBP	1	390	526	684	808	895	1050	1410	1710	2000	2412	3200	785	*	13.3	1.14	285.3	246.0	158.0	128.0	12.8	8.0
C-RHV161L4AAL		LBP	1.25	501	627	793	999	1090	1246	1533	1861	2196	2637	3086	932	*	16.1	1.17	285.3	246.0	158.0	128.0	12.8	8.0
C-RHN110E5A		LBP	1.5	713	964	1250	1472	1540	1773	2118	2580	2900	3682	4900	1385	*	22.0	1.24	285.3	310.3	158.0	128.0	12.8	8.0
C-3RHV322L4AAL		LBP	2	910	1230	1600	1890	2000	2330	2820	3350	3820	5160	6950	1980	*	32.2	1.01	374.3	404.3	178.0	158.0	12.8	9.7
C-3RHV359L4AAL		LBP	2.5	1076	1346	1702	2145	2340	2675	3292	3995	4620	5661	7430	2160	*	35.9	1.08	374.3	404.3	178.0	158.0	12.8	9.7
C-3RHV463L4AAL		LBP	3	1310	1770	2300	2830	2990	3288	3935	4783	5412	6513	7744	2670	*	46.3	1.12	374.3	404.3	178.0	158.0	12.8	9.7

定速冷冻冷藏 Fixed speed LBP and MBP

型号 Model	形式 Form	应用 Application	马力 HP	制冷量 Cooling Capacity (W)											耗电量 (W)		排量 Displacement (cc/rev) cm <sup>3</sup>	COP (W/W)	外观尺寸 Dimentions (mm)					
				蒸发温度 Evaporating Temp (°C)											蒸发温度 (°C)				Height 高度			壳体直径	Connecion Tube 配管	
				-40	-35	-30	-25	-23.3	-20	-15	-10	-6.7	0	7.2	-23.3	-6.7			A	B	C	D	吸气口E	排气口F

**R404a 220V~240V-1PH-50HZ(R448A/R449A/R454C/R455A)**

C-1RV089L4AAD	V	LBP	0.5	280	351	444	559	610	697	858	1041	1229	1476	1727	470	*	8.9	1.30	205.0	229.8	187.0	115.0	9.6	8.0
C-RV113L4AAL		LBP	0.7	322	403	509	642	700	800	985	1195	1410	1693	1982	690	*	11.3	1.01	277.3	302.3	319.1	128.0	12.8	8.0
C-RV133L4AL		LBP	0.8	391	489	618	779	850	972	1196	1451	1713	2056	2406	770	*	13.3	1.10	277.3	302.3	319.1	128.0	12.8	8.0
C-RV161L4AAL		LBP	1	478	598	757	953	1040	1189	1463	1775	2095	2516	2944	880	*	16.1	1.18	277.3	327.1	319.1	128.0	12.8	8.0
C-RV190L4AAL		LBP	1	579	725	917	1155	1260	1440	1772	2151	2539	3048	3567	1040	*	19.0	1.21	277.3	302.3	319.1	128.0	12.8	8.0
C-RV220L4AL		LBP	1.5	671	840	1062	1339	1460	1669	2054	2492	2942	3532	4133	1320	*	22.0	1.11	277.3	302.3	319.1	128.0	12.8	8.0
C-3RV322L4AAL		LBP	2	920	1242	1616	1908	2010	2350	2850	3400	3850	5200	7000	1970	*	32.2	1.02	414.3	444.3	392.8	158.0	16.1	9.7
C-3RV359L4AAL		LBP	2.5	1076	1346	1702	2145	2340	2675	3292	3995	4620	5661	7430	2160	*	35.9	1.08	374.3	404.3	178.0	158.0	12.8	9.7
C-3RV463L4AAL		LBP	3	1343	1787	2323	2858	3030	3322	3974	4830	5466	6578	7821	2800	*	46.3	1.08	414.3	444.3	388.8	158.0	16.1	9.7
C-3RV547L4AAL		LBP	3.5	1639	2050	2593	3268	3565	4075	5015	6086	6917	8624	10091	3110	*	54.7	1.15	414.3	457.3	392.8	158.0	16.1	9.7
C-3RV322M4AAF		MBP	*	*	*	*	*	*	*	*	3191	3600	4523	5292	*	1950	32.2	1.85	323.5	353.3	362.0	142.2	16.1	9.7
C-3RV438M4AAF		MBP	*	*	*	*	*	*	*	*	4388	4950	6218	7276	*	2650	43.8	1.87	414.3	444.3	392.8	158.0	16.1	9.7

**R404a 380V-3PH-50HZ(R448A/R449A/R454C/R455A)**

C-RN83L8A	V	LBP	1	441	595	774	913	980	1095	1330	1610	1842	2400	3100	850	*	16.1	1.15	277.3	326.9	319.1	128.0	12.8	8.0
C-RN113L8A		LBP	1.5	628	848	1100	1296	1350	1560	1864	2272	2552	3240	4312	1210	*	22.0	1.11	277.3	326.9	312.8	128.0	12.8	8.0
C-3RP322L4AAL		LBP	2	882	1191	1548	1826	1900	2210	2730	3300	3680	5042	6850	1800	*	32.2	1.06	404.5	434.5	392.0	157.0	16.1	9.7
C-3RP359L4AAL		LBP	2.5	1021	1379	1792	2115	2200	2460	2910	3460	3910	5400	7300	2070	*	35.9	1.06	404.5	434.5	392.0	157.0	16.1	9.7
C-3RP463L4AAL		LBP	3	1372	1870	2440	2884	3000	3297	4123	5092	5995	7401	8859	2580	*	46.3	1.16	404.5	434.5	392.0	157.0	16.1	9.7
C-3RP547L4AAL		LBP	3.5	1533	1918	2426	3057	3335	3813	4691	5693	6719	8068	9441	2935	*	54.7	1.14	404.5	447.5	392.8	158.0	16.1	9.7
C-9RP700L4AAL		LBP	4.5	2115	2646	3346	4217	4600	5259	6470	7853	9267	11128	13022	3615	*	70.0	1.27	437.0	467.0	419.3	158.0	25.6	9.7



定速冷冻冷藏 Fixed speed LBP and MBP

型号 Model	形式 Form	应用 Application	马力 HP	制冷量 Cooling Capacity (W)												耗电量 (W)		排量 Displacement (cc/rev) cm <sup>3</sup>	COP (W/W)	外观尺寸 Dimentions (mm)					
				蒸发温度 Evaportating Temp (°C)												蒸发温度 (°C)				Height 高度			壳体直径 Conexion Tube 配管		
				-40	-35	-30	-25	-23.3	-20	-15	-10	-6.7	-5	0	7.2	-23.3	-6.7			A	B	C	D	吸气口E	排气口F
<b>R404a 100V-1PH-50HZ-60HZ(R448A/R449A/R454C/R455A)</b>																									
C-1RHN40E0A	H	LBP	0.6	292	395	514	606	630	833	1061	1289	1424	1522	1756	2200	605	*	9.1	1.04	266.2	310.2	153.0	115.0	9.6	8.0
C-RHN60L0A		LBP	0.8	398	538	700	825	860	1133	1444	1754	1937	2050	2300	2710	750	*	11.3	1.15	277.3	302.3	158.0	128.0	9.6	8.0
C-1RHN60M0A		MBP	0.8	*	*	*	*	*	*	1070	1230	1510	1400	1560	1840	*	805	11.8	1.73	266.2	301.2	153.0	115.0	9.6	8.0
<b>R404a 200V-3PH-50HZ-60HZ(R448A/R449A/R454C/R455A)</b>																									
C-RHN63L3A	H	LBP	0.8	325	438	570	673	700	923	1177	1430	1579	1686	1947	2207	630	*	11.3	1.11	277.3	326.9	319.1	128.0	12.8	8.0
C-1RHN43E3A		LBP	0.7	274	371	482	568	590	781	990	1209	1335	1427	1647	2150	500	*	9.1	0.99	266.2	301.2	153.0	115.0	9.6	8.0
C-7RHN113L3A		LBP	2	1030	1069	1177	1336	1390	1725	2290	2976	3610	3880	4596	3940	1240	*	23.3	1.12	303.5	328.5	*	128.0	*	8.0
C-RHN78E3A		LBP	1	450	590	750	890	980	1120	1490	1800	2100	2250	2550	3300	795	*	13.3	1.23	277.3	302.3	158.0	128.0	9.6	8.0
C-7RHN78L3A		LBP	1.25	390	527	685	808	841	1043	1385	1800	2183	2347	2780	2383	750	*	14.6	1.12	277.3	326.9	*	128.0	12.8	8.0
C-RHN113E3A		LBP	1.5	785	1060	1375	1620	1690	1950	2330	2840	3190	3400	4050	5390	1360	*	22.0	1.24	285.3	310.3	158.0	128.0	9.6	8.0
C-RHN153L3A		LBP	2	1105	1490	1939	2288	2380	2750	3285	4005	4500	4780	5700	7600	2110	*	32.2	1.13	364.5	394.5	178.0	157.0	12.8	9.7
C-RHN223L3A		LBP	3	1676	2262	2941	3471	3610	4190	5000	6290	7000	7520	8190	9600	2920	*	46.3	1.24	414.3	444.3	178.0	158.0	12.8	9.6
C-1RHN63M3A		MBP	0.8	*	*	*	*	*	*	1010	1200	1490	1380	1559	1839	*	775	11.3	1.92	266.2	301.2	153.0	115.0	9.6	8.0
C-7RHN78M3A		MBP	1	*	*	*	*	*	*	1305	1550	1770	1983	2250	2576	*	1010	14.6	1.75	277.3	326.9	158.0	128.0	12.8	8.0
C-7RHN113M3A		MBP	1.5	*	*	*	*	*	*	2083	2474	2429	3165	3591	4111	*	1320	23.3	1.75	413.5	443.5	390.0	157.0	16.1	9.7
<b>R404a 200V-3PH-50HZ-60HZ(R448A/R449A/R454C/R455A)</b>																									
C-RN63L3A	V	LBP	0.5	404	545	709	836	870	982	1197	1450	1659	1805	2107	2600	760	*	11.3	1.14	263.5	313.1	391.5	128.0	12.8	8.0
C-RN83L3A		LBP	1.25	560	757	982	1157	1210	1392	1664	2028	2278	2428	2892	3850	1050	*	16.1	1.15	277.3	326.9	391.1	128.0	12.8	8.0
C-RN113L3A		LBP	1.5	780	1050	1370	1610	1680	1940	2320	2820	3180	3390	4030	5370	1450	*	22.0	1.16	277.3	326.9	312.8	128.0	12.8	8.0
C-RN173L3A		LBP	2.5	1297	1752	2277	2688	2790	3245	3985	4810	5420	5820	6810	8300	2440	*	35.9	1.14	404.5	434.5	392.0	157.0	16.1	9.7
C-RN173L3B		LBP	2.5	1295	1748	2273	2682	2790	3220	3940	4690	5120	5570	6480	8140	2440	*	35.9	1.14	404.5	434.5	392.0	157.0	16.1	9.7
C-RN223L3A		LBP	3	1722	2325	3023	3567	3700	4230	5230	6290	6815	7420	8470	9870	3060	*	46.3	1.21	414.3	444.3	392.8	158.0	16.1	9.7
C-RN223L3B		LBP	3	1717	2319	3015	3358	3700	4210	5190	6200	6660	7210	8230	9720	3060	*	46.3	1.21	414.3	444.3	392.8	158.0	16.1	9.7
<b>R22 200V-3PH-50HZ-60HZ</b>																									
C-RH150L3A	H	LBP	2	882	1191	1548	1826	1900	2312	2808	3384	3890	4233	4723	5615	1900	*	32.2	1.00	364.5	394.5	178.0	157.0	12.8	9.7
C-RH173L3A		LBP	2.5	1026	1385	1800	2125	2210	2372	2882	3473	3992	4344	4848	5763	1950	*	35.9	1.13	364.5	394.5	178.0	157.0	12.8	9.7
C-RH223L3A		LBP	3.5	1337	1805	2346	2769	2880	3102	3768	4542	5220	5681	6339	7536	2550	*	48.6	1.13	374.3	404.3	178.0	158.0	12.8	9.7
<b>R22 220V-1PH-60HZ</b>																									
C-RH170L6A	H	LBP	2.5	1035	1397	1817	2144	2230	2506	3044	3669	4217	4590	5121	6088	2060	*	35.9	1.08	364.5	394.5	178.0	157.0	12.8	9.7
C-RH220L6A		LBP	3.5	1444	1949	2534	2990	3110	3492	4241	5112	5875	6394	7135	8482	2870	*	48.6	1.08	374.3	404.3	178.0	158.0	12.8	9.7
<b>R22 380-400-415V-3PH-50HZ</b>																									
C-RH223L8A	H	LBP	3	1133	1529	1988	2346	2440	2713	3295	3972	4565	4968	5544	6591	2230	*	48.6	1.09	374.3	404.3	178.0	157.0	12.8	9.7
<b>R22 380V-3PH-60HZ</b>																									
C-RH223L9A	H	LBP	3.5	1402	1893	2460	2904	3020	3260	3960	4774	5486	5971	6663	7921	2680	*	48.6	1.13	374.3	404.3	178.0	158.0	12.8	9.7

H:Horizontal Type 卧式 V:Vertical Type 立式

定速冷冻冷藏 Fixed speed LBP and MBP/ 变频 DC

型号 Model	形式 Form	应用 Application	马力 HP	制冷量 Cooling Capacity (W)														耗电量 (W)		排量 Displacement (cc/rev) cm <sup>3</sup>	COP (W/W)	外观尺寸 Dimentions (mm)					
				蒸发温度 Evaportating Temp (°C)														蒸发温度 (°C)				Height 高度			壳体直径	Conecion Tube 配管	
				-40	-35	-30	-25	-23.3	-20	-15	-10	-6.7	-5	0	7.2	-23.3	-6.7	A	B			C	D	吸气口E	排气口F		

**R22 200V-3PH-50HZ-60HZ**

C-R173L3B	V	LBP	2.5	1200	1450	1750	2250	2430	2750	3500	4250	4800	5050	5900	7100	2010	*	35.9	1.21	404.5	434.5	392.0	157.0	16.1	9.7
C-R223L3C		LBP	3.5	1600	1850	2400	3100	3420	3850	4900	5900	6600	7000	7800	8800	2600	*	48.6	1.32	414.3	444.3	402.8	158.0	16.1	9.7
C-R243L3B		LBP	4	1800	2100	2700	3400	3690	4200	5200	6300	7050	7400	8400	9600	3040	*	54.7	1.21	414.3	444.3	402.8	158.0	16.1	9.7
C-R153L3B		MBP	3	*	*	*	*	*	*	3373	3878	4130	4414	4918	5801	*	2140	32.2	1.93	404.5	434.5	306.0	157.0	16.1	9.7
C-R193L3A		MBP	4	*	*	*	*	*	*	4468	5136	5470	5846	6514	7683	*	2760	41.6	1.98	404.5	434.5	406.0	158.0	16.1	9.7

**R22 380-400-415V-3PH-50HZ**

C-R223L8C	V	LBP	3	1170	1579	2053	2423	2520	2786	3384	4079	4688	5102	5693	6768	2290	*	48.6	1.10	414.3	444.3	402.8	158.0	16.1	9.7
-----------	---	-----	---	------	------	------	------	------	------	------	------	------	------	------	------	------	---	------	------	-------	-------	-------	-------	------	-----

型号 Model	形式 Form	变频器侧电压 Testing Voltage	应用 Application	马力 HP	制冷量 Cooling Capacity (W)														耗电量 (W)		排量 Displacement (cc/rev) cm <sup>3</sup>	COP (W/W)	外观尺寸 Dimentions (mm)					
					蒸发温度 Evaportating Temp (°C)														蒸发温度 (°C)				Height 高度			壳体直径	Conecion Tube 配管	
					-40	-35	-30	-25	-23.3	-20	-15	-10	-6.7	-5	0	7.2	-23.3	-6.7	A	B			C	D	吸气口E	排气口F		

**DC R404A (R410A/R448A/R449A/R454C/R455A/R134A)**

C-1RVN30MOA	V	220V	LBP	0.8	218	294	383	451	470	606	792	1000	1117	1184	1368	1549	330	*	5.6	1.42	195.0	215.0	187.0	115.0	9.6	8.0	
C-1RVN45LOA		220V	LBP	1	362	488	635	750	780	1005	1315	1660	1854	1965	2270	2571	505	*	8.9	1.54	195.0	215.0	187.0	115.0	9.6	8.0	
C-7RVN153MOA		220V	MBP	2	*	*	*	*	*	*	2432	3020	3462	3670	4239	4801	*	1670	23.3	1.38	312.5	336.5	306.0	128.0	12.8	8.0	
C-6RVN63LOA		380V	LBP	1/1.5	460	607	790	1000	1050	1175	1425	1675	1750	1910	2160	2510	820	920	12.5	1.28	243.9	278.9	295.9	115.0	12.8	8.0	
C-6RVN63LOB		220V	LBP	1/1.5	492	615	778	981	1070	1223	1505	1827	1750	1910	2160	2510	820	*	12.5	1.30	243.9	278.9	295.9	115.0	12.8	8.0	
C-7RVN113LOA		380V	LBP	2	895	1180	1550	1925	2045	2300	2700	3280	3490	3700	4100	4700	1580	1800	23.3	1.29	312.5	353.1	320.3	128.0	16.1	8.0	
C-7RVN113LOB		220V	LBP	2	924	1156	1462	1843	2010	2298	2827	3431	3490	3700	4100	4700	1580	*	23.3	1.27	312.5	353.1	320.3	128.0	16.1	8.0	
C-7RVN153LOA		380V	LBP	3	1253	1655	2050	2425	2860	3200	3800	4550	4765	5200	5900	6850	2095	2480	32.0	1.37	327.5	368.1	320.3	128.0	16.1	8.0	
C-7RVN153LOB		220V	LBP	3	1306	1633	2066	2604	2840	3247	3995	4550	4765	5200	5900	6850	2075	*	32.0	1.37	327.5	368.1	320.3	128.0	16.1	8.0	
C-8RZ420M4BAF		220V	MBP	4	*	*	*	*	*	*	4748	5762	6500	6901	8166	9555	*	3000	42.0	2.17	396.0	426.0	388.2	143.0	16.1	9.7	
C-8RZ420L4AAL		380V	LBP	4	1775	2220	2808	3539	3860	4413	5430	6590	7777	7892	9338	10927	2760	*	42.0	1.40	396.0	426.0	388.5	143.0	16.1	9.7	
C-8RZ420L4BAL		220V	LBP	4	1775	2220	2808	3539	3860	4413	5430	6590	7777	7892	9338	10927	2725	*	42.0	1.42	396.0	426.0	388.5	143.0	16.1	9.7	
C-8RZ486L4AAL		380V	LBP	5	2113	2643	3342	4213	4595	5253	6463	7844	9257	9395	11116	13008	3225	*	48.6	1.42	396.0	439.0	388.5	143.0	16.1	9.7	
C-8RZ486L4BAL		220V	LBP	5	2062	2579	3262	4112	4485	5127	6309	7656	9036	9170	10850	12696	3120	*	48.6	1.44	396.0	439.0	388.5	143.0	16.1	9.7	
C-9RZ580L4AAL		380V	LBP	6	2373	2968	3753	4731	5160	5899	7258	8809	10396	10550	12483	14607	3850	*	58.0	1.34	443.0	515.2	466.0	158.0	25.6	16.1	
C-9RZ700L4AAL		380V	LBP	8	3067	3836	4852	6115	6670	7625	9382	11387	13438	13638	16136	18882	4500	*	70.0	1.48	443.0	515.2	466.0	158.0	25.6	16.1	
C-6RHVN63MOA		H	220V	MBP	1.5	*	*	*	*	*	1089	1352	1550	1643	1898	2149	*	860	12.3	1.80	266.2	306.6	173.0	115.0	9.6	8.0	
C-6RHVN63LOA			380V	LBP	1/1.5	487	610	771	972	1020	1212	1491	1810	2137	2167	2564	3001	764	*	12.5	1.34	266.2	301.2	173.0	115.0	9.6	8.0
C-6RHVN63LOB			220V	LBP	1/1.5	487	610	771	972	1020	1212	1491	1810	2137	2167	2564	3001	764	*	12.5	1.34	266.2	301.2	173.0	115.0	9.6	8.0
C-7RHVN113LOA	380V		LBP	2	883	1104	1397	1760	1920	2195	2701	3278	3868	3926	4645	5435	1530	*	23.3	1.25	303.5	328.5	158.0	128.0	12.8	8.0	
C-7RHVN113LOB	220V		LBP	2	832	1041	1317	1659	1810	2069	2546	3090	3647	3701	4379	5124	1535	*	23.3	1.18	303.5	328.5	158.0	128.0	12.8	8.0	
C-7RHVN153LOA	380V		LBP	3	1196	1495	1891	2384	2600	2972	3657	4439	5238	5316	6290	7360	2100	*	32.0	1.24	303.5	328.5	158.0	128.0	12.8	8.0	
C-7RHVN153LOB	220V		LBP	3	1186	1484	1877	2365	2580	2949	3629	4404	5198	5275	6242	7304	2010	*	32.0	1.28	303.5	328.5	158.0	128.0	12.8	8.0	

**DC R290**

C-6RHZ092L9AAL	H	220V	LBP	1	256	327	424	530	560	662	800	973	1040	1146	1339	1599	485	525	9.2	1.15	266.2	306.8	173.0	115.0	9.6	8.0
C-6RHZ125L9AAL		220V	LBP	1.5	361	463	597	751	790	936	1125	1370	1538	1613	1883	2251	620	722	12.5	1.27	266.2	306.8	173.0	115.0	9.6	8.0
C-7RHZ233L9AAL		220V	LBP	3	687	881	1136	1430	1510	1782	2143	2609	2929	3072	3586	4286	1165	1363	23.3	1.30	303.5	347.6	158.0	128.0	12.8	8.0
C-7RHZ320L9AAL		220V	LBP	4	942	1207	1557	1960	2130	2443	2937	3577	4015	4210	4915	5874	1560	1697	32.0	1.37	303.5	347.6	158.0	128.0	12.8	8.0

H:Horizental Type 卧式 V:Vertical Type 立式

**R407C 3PH 200V 50/60Hz**

型号 MODEL	测试工况 Test Mode	制冷量 NOMINAL CAPACITY		COP (W/W)	输入功率 POWER INPUT (W)	外形图号 DRAWING	B mm	A mm	C mm	D mm
		W	BTU							

自然冷却/Natural Cooling

C-1RJ089H7AAF	TEST 2	1850	6314	3.08	600	No.1	286.2	243.2	245.2	115.2
C-1RJ117H01AA	TEST 2	2350	8020	2.68	795	No.1	298.8	258.2	264.2	115.0
C-1RJ157H01AA	TEST 2	2650	9044	2.96	895	No.1	298.8	258.2	264.2	115.0
C-2RN153H3A	TEST 2	6290	21468	2.85	2210	No.1	349.3	306.3	328.8	142.2
C-RN223H3C	TEST 2	10100	34471	2.83	3570	No.1	407.5	364.5	392.0	157.0

**R407C 380-415V 50HZ/3PH**

型号 MODEL	测试工况 Test Mode	制冷量 NOMINAL CAPACITY		COP (W/W)	输入功率 POWER INPUT (W)	外形图号 DRAWING	B mm	A mm	C mm	D mm
		W	BTU							

自然冷却/Natural Cooling

C-2RN163H8W	TEST 2	5600	19115	2.90	1930	No.1	361.6	321.0	338.5	142.0
C-RN213H8A	TEST 2	7570	25835	2.84	2670	No.1	408.3	365.3	350.8	158.0
C-RN223H8D	TEST 2	8000	27305	2.88	2780	No.1	407.5	364.5	361.0	158.0
C-RN243H8A	TEST 2	8920	30445	2.79	3200	No.1	457.3	414.3	346.8	158.0

喷液冷却/Liquid Injection

C-2RN173H8W	TEST 2	6080	20750	2.83	2150	No.1	362.5	321.0	338.5	142.0
C-RN173H8A	TEST 2	5830	19900	2.71	2150	No.1	382.5	339.5	355.0	142.0
C-RN223H8A	TEST 2	8100	27645	2.80	2860	No.1	417.3	374.3	346.8	158.0

**R407C 1PH 100V 50/60Hz**

型号 MODEL	测试工况 Test Mode	制冷量 NOMINAL CAPACITY		COP (W/W)	输入功率 POWER INPUT (W)	外形图号 DRAWING	B mm	A mm	C mm	D mm
		W	BTU							

C-1RF117H01AA	TEST 2	8191	2400	2.82	850	No.1	298.8	258.2	264.2	115.0
---------------	--------	------	------	------	-----	------	-------	-------	-------	-------

**R410A 3PH 200V 50/60Hz**

型号 MODEL	测试工况 Test Mode	制冷量 NOMINAL CAPACITY		COP (W/W)	输入功率 POWER INPUT (W)	外形图号 DRAWING	B mm	A mm	C mm	D mm
		W	BTU							

自然冷却/Natural Cooling

C-1RJ096H1AAF	TEST 2	2590	8840	2.73	950	No.1	286.2	243.2	245.2	115.2
C-RJ214H1AAF	TEST 2	6100	20819	2.90	2100	No.1	330.1	289.5	294.8	128.0
C-8RJ320H1AAF	TEST 2	9050	30887	2.81	3220	No.1	399.5	356.5	356.9	142.9

**R32 3PH 200V 50/60Hz**

型号 MODEL	测试工况 Test Mode	制冷量 NOMINAL CAPACITY		COP (W/W)	输入功率 POWER INPUT (W)	外形图号 DRAWING	B mm	A mm	C mm	D mm
		W	BTU							

自然冷却/Natural Cooling

C-1RJ096H3AAF	TEST 2	2345/2815	8003/9601	3.27/3.02	775/930	No.1	286.2	243.2	245.2	115.2
C-RJ175H3AAF	TEST 2	4315/5100	14727/17406	2.92/2.87	1476/1770	No.1	317.9	277.3	294.8	128.0
C-RJ214H3AAF	TEST 2	5720/6520	19522/22253	2.69/2.68	2130/2430	No.1	330.1	289.5	294.8	128.0
C-8RJ320H1AAF	TEST 2	8650/9860	29530/33652	2.66/2.66	3250/3700	No.1	399.5	356.5	356.9	142.9

**COOPERATIVE PARTNER**

合作伙伴



**CONTACT US** 联系我们

**SALES DEPT** 销售本部

**Business**  
销售业务

Tel: +86-18604043105  
 Mail: sunqj@avicsanyo.com  
 Add: 6-1, No.6 Road, No.4 Street, Shenyang  
 Economic & Technological Development